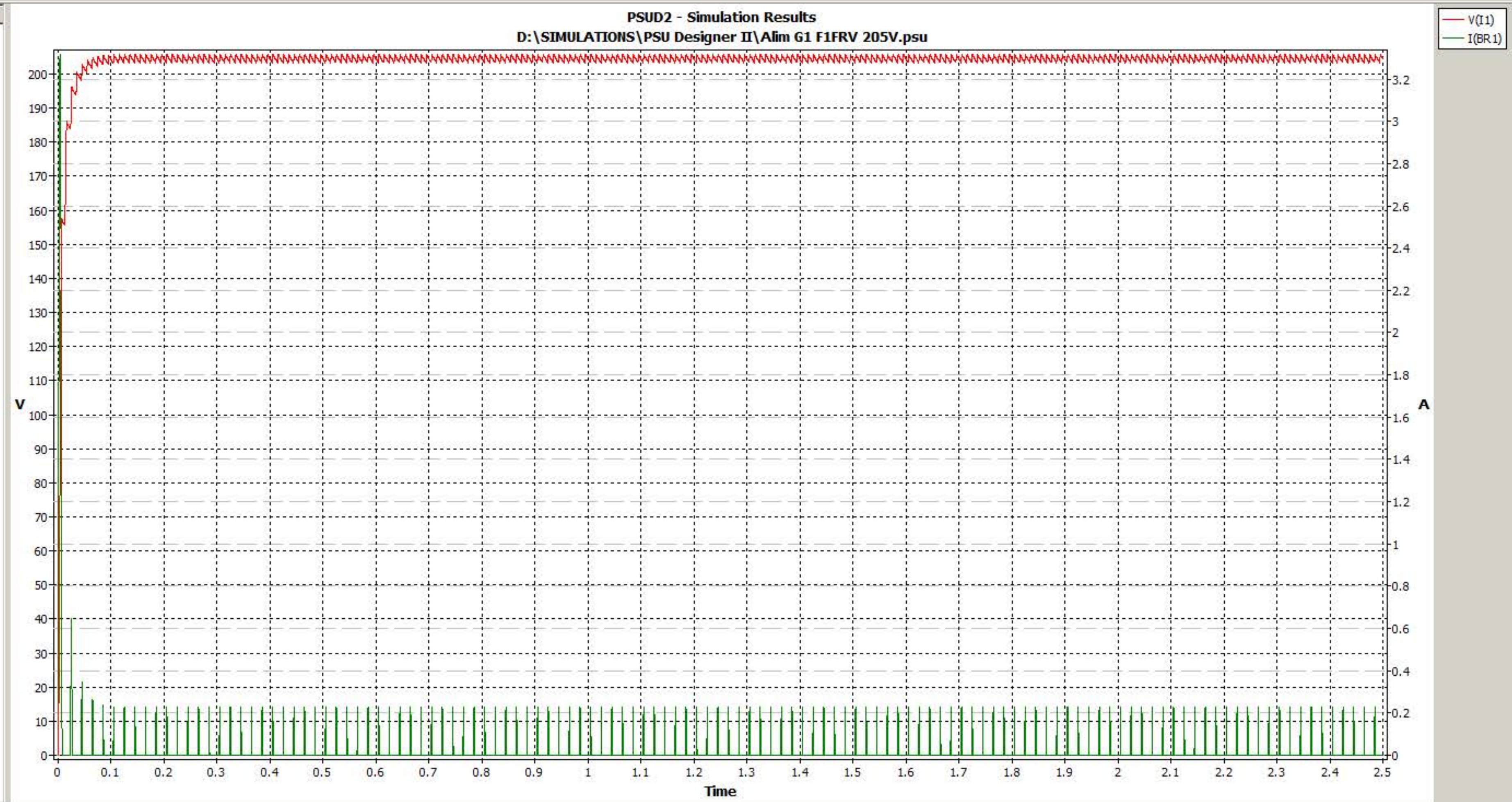
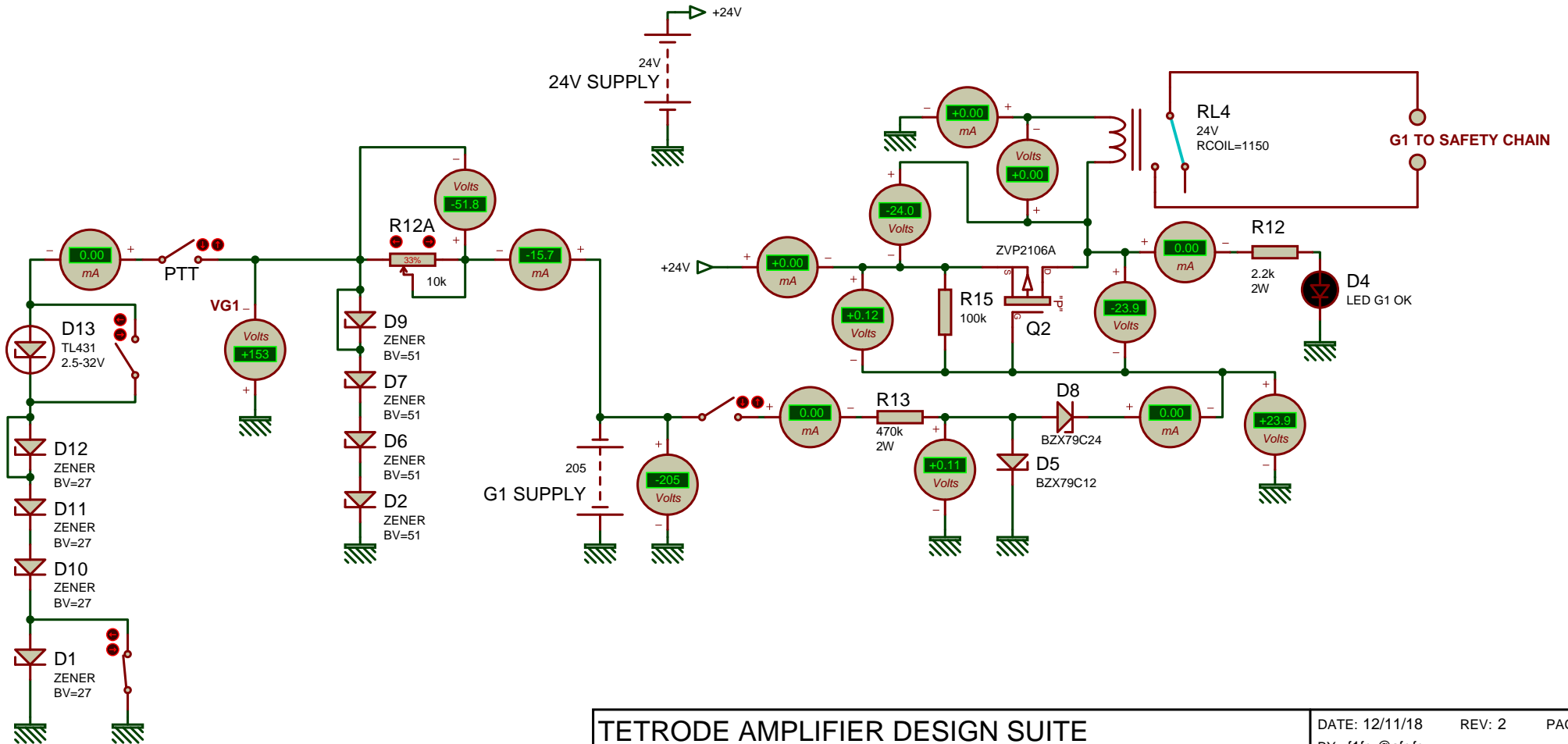
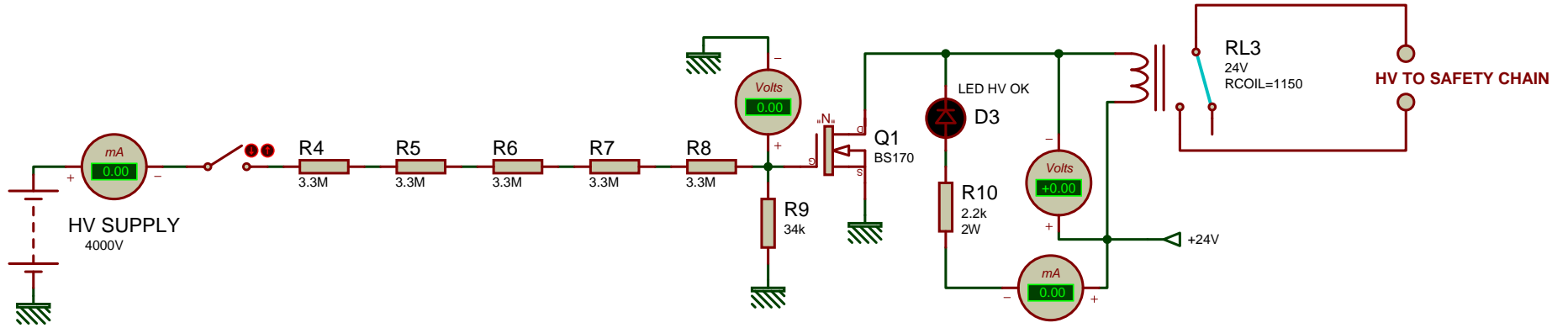


Simulate For 2500 ms after a reporting delay of 0 s

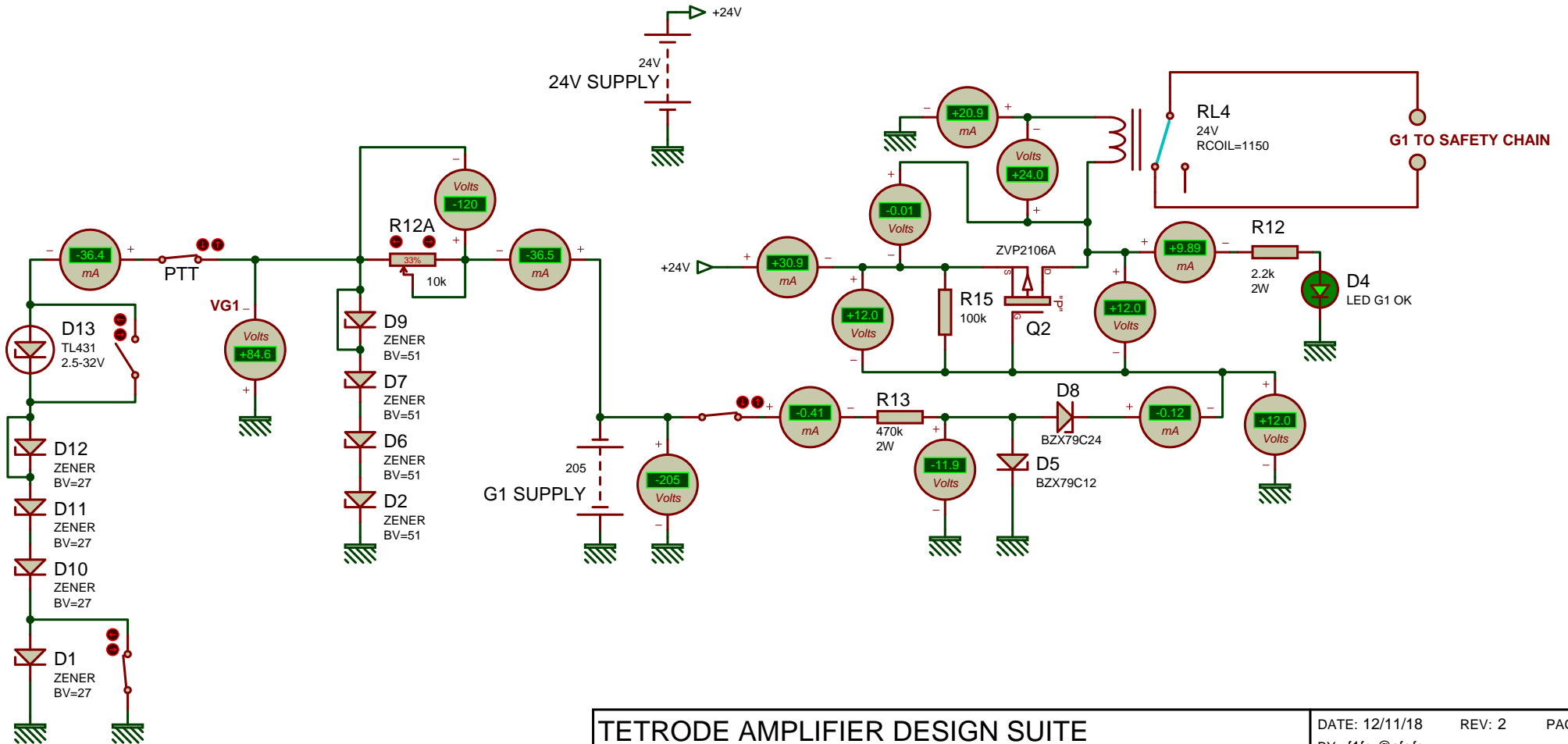
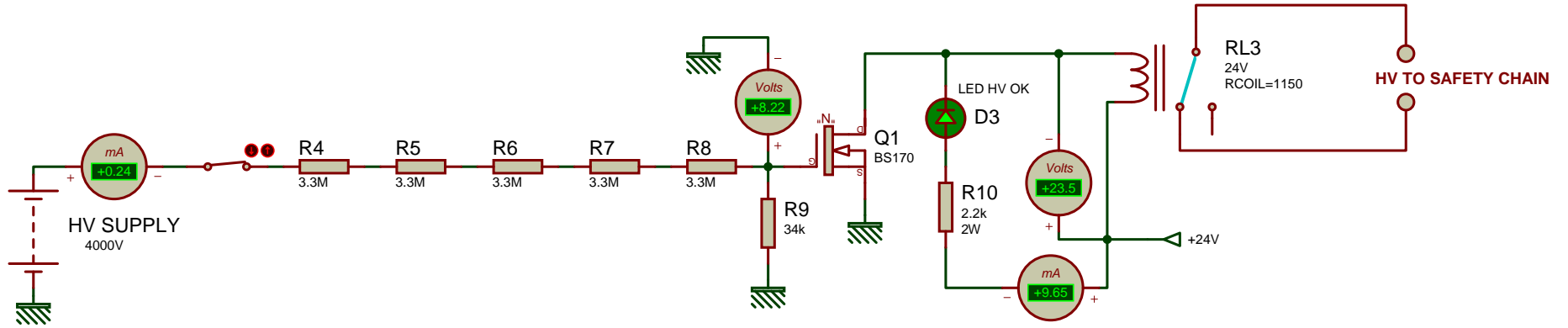
Result	Min	Max	Diff	Mean	RMS
<input type="checkbox"/> V(T1)	-206.79	206.79	413.58	-411.03m	148.66
<input type="checkbox"/> I(T1)	-1.1747	3.3166	4.4914	5.9616m	159.89m
<input type="checkbox"/> V(BR1)	-205.57	1.0887	206.66	-136.88	159.14
<input checked="" type="checkbox"/> I(BR1)	-102.25u	3.3166	3.3167	20.284m	146.94m
<input type="checkbox"/> V(C1)	782.99n	205.79	205.79	203.77	203.93
<input type="checkbox"/> I(C1)	-25.102m	3.2916	3.3167	9.6098m	156.45m
<input checked="" type="checkbox"/> V(I1)	782.99n	205.79	205.79	203.77	203.93
<input type="checkbox"/> I(I1)	0	25m	25m	24.999m	24.999m





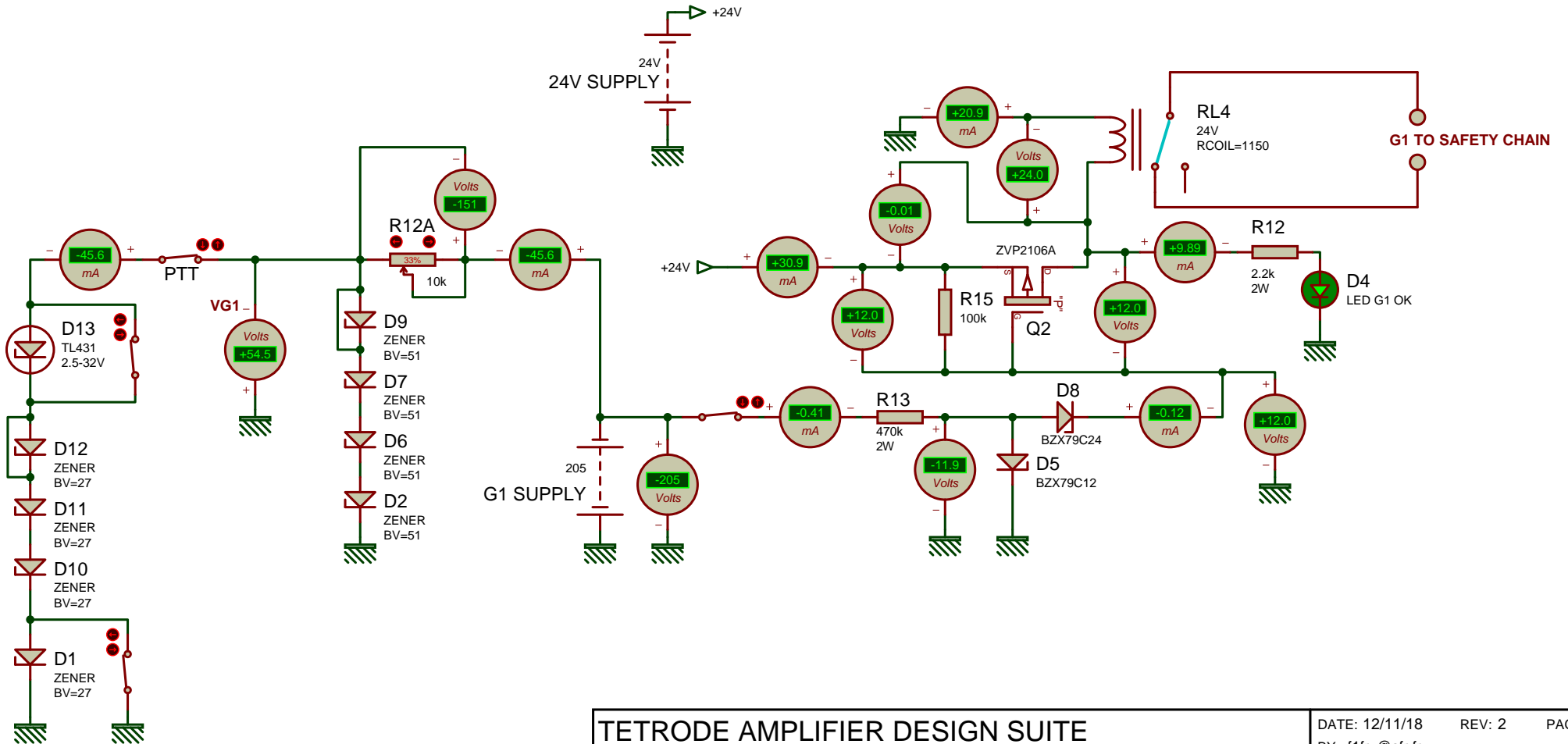
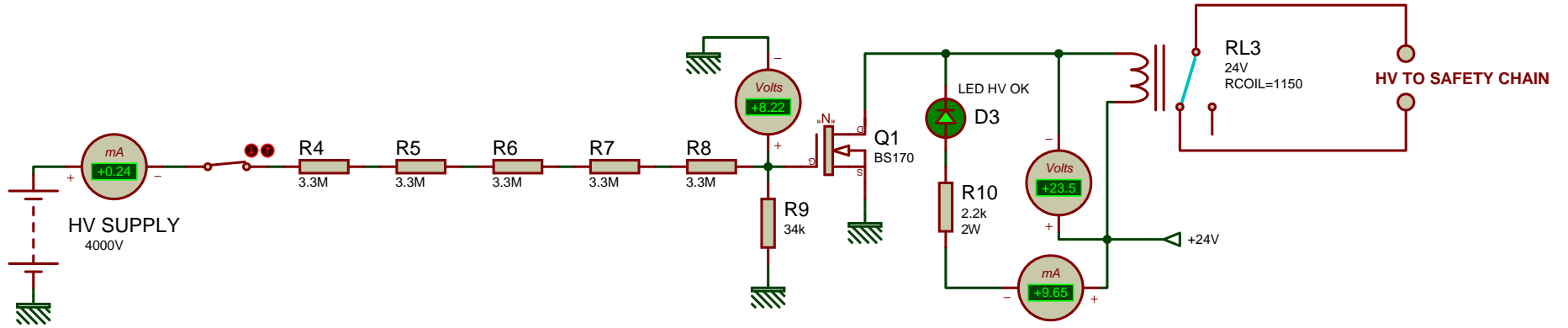
ZENERS 5 W @ 51 V MAX CURRENT 93 mA !!

TETRODE AMPLIFIER DESIGN SUITE  
SUPPLIES DETECTIONS SIMULATION



ZENERS 5 W @ 51 V MAX CURRENT 93 mA !!

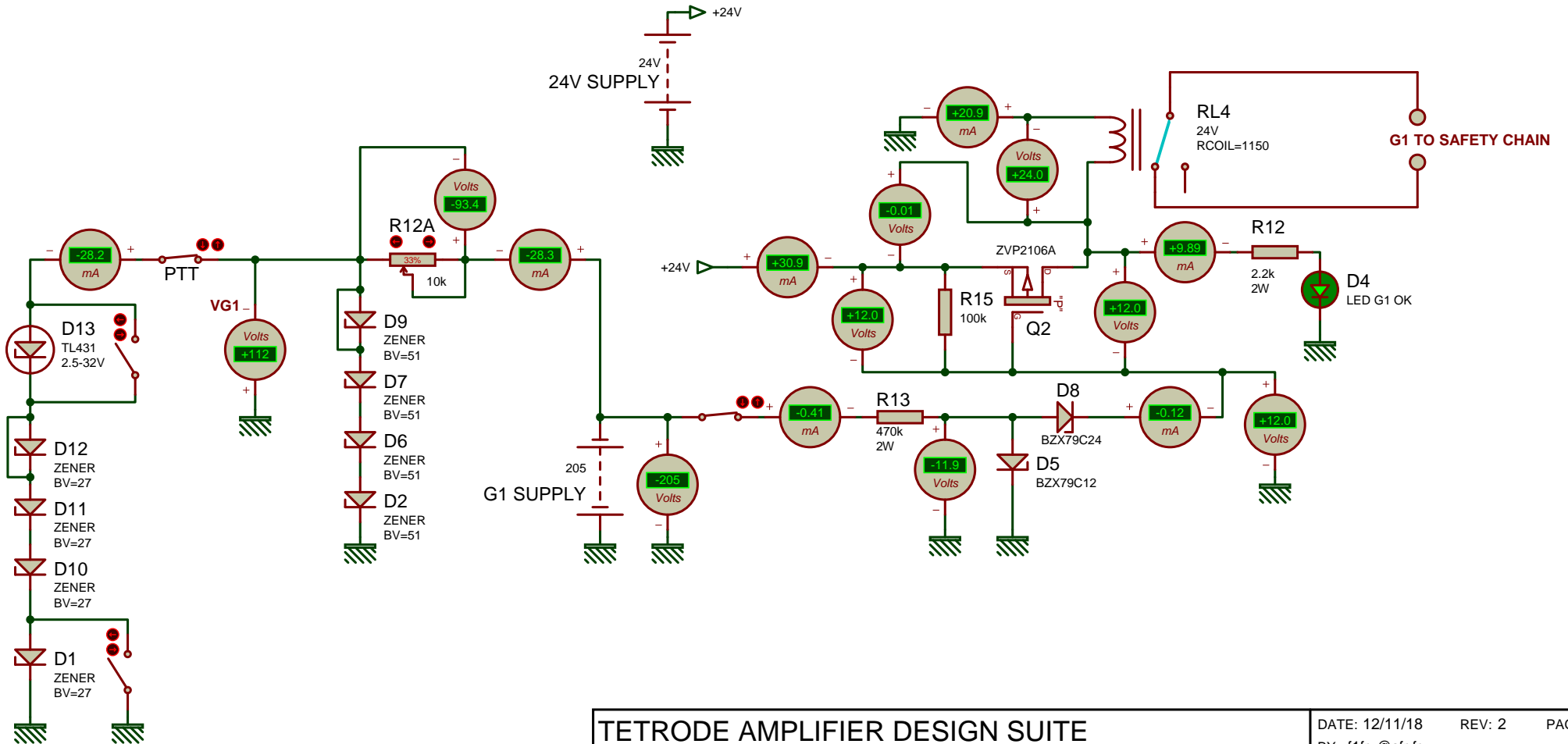
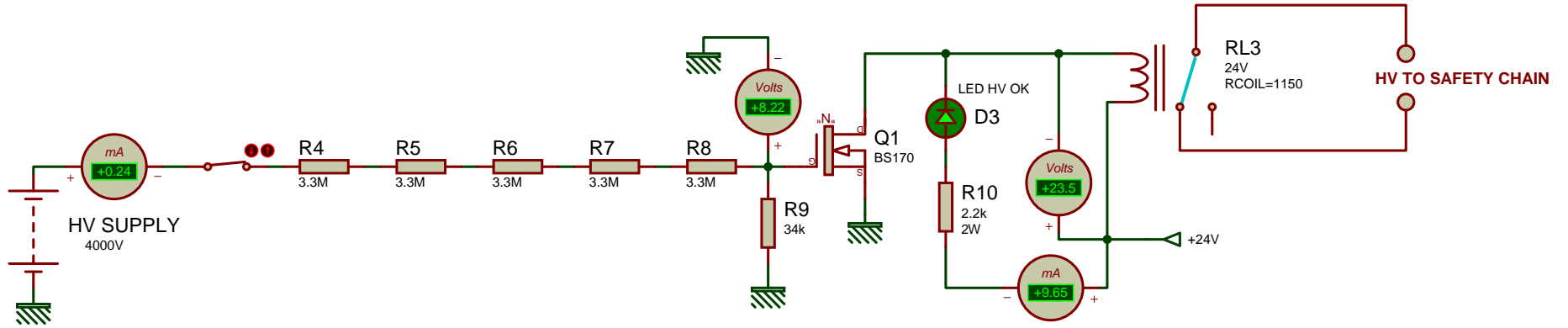
TETRODE AMPLIFIER DESIGN SUITE  
SUPPLIES DETECTIONS SIMULATION



ZENERS 5 W @ 51 V MAX CURRENT 93 mA !!

TETRODE AMPLIFIER DESIGN SUITE  
SUPPLIES DETECTIONS SIMULATION





ZENERS 5 W @ 51 V MAX CURRENT 93 mA !!

TETRODE AMPLIFIER DESIGN SUITE  
SUPPLIES DETECTIONS SIMULATION