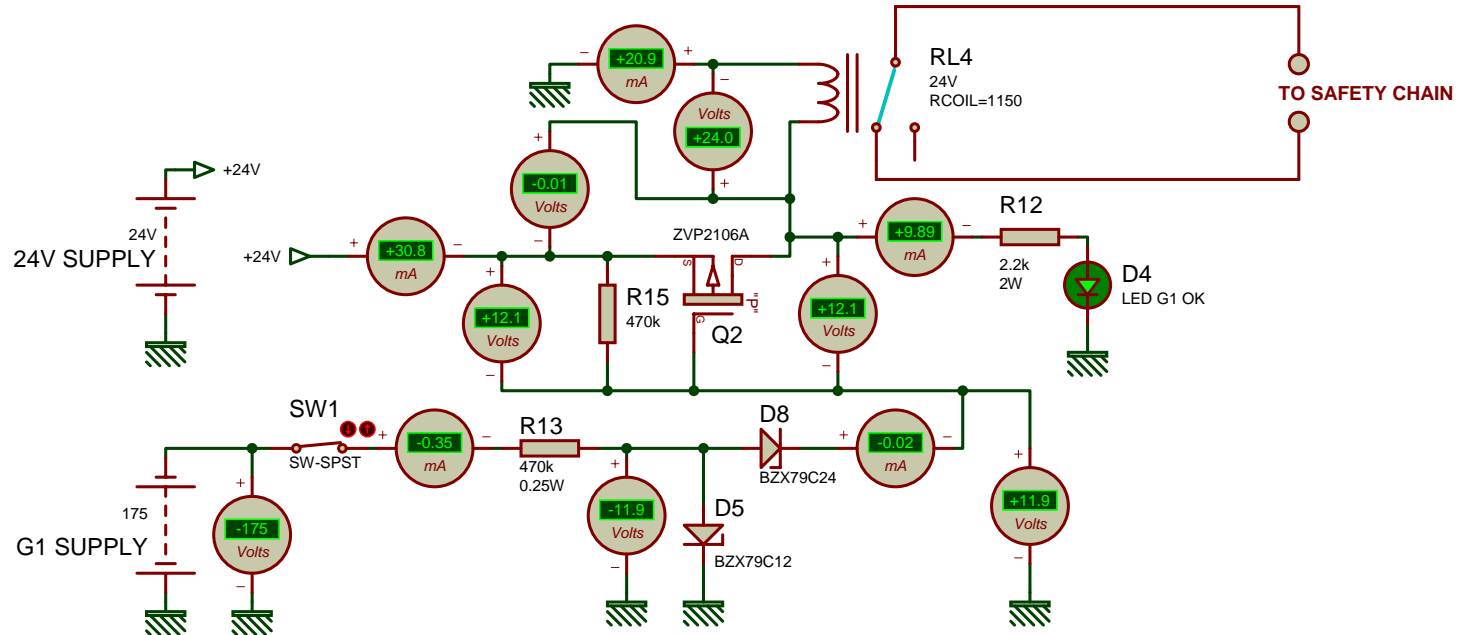
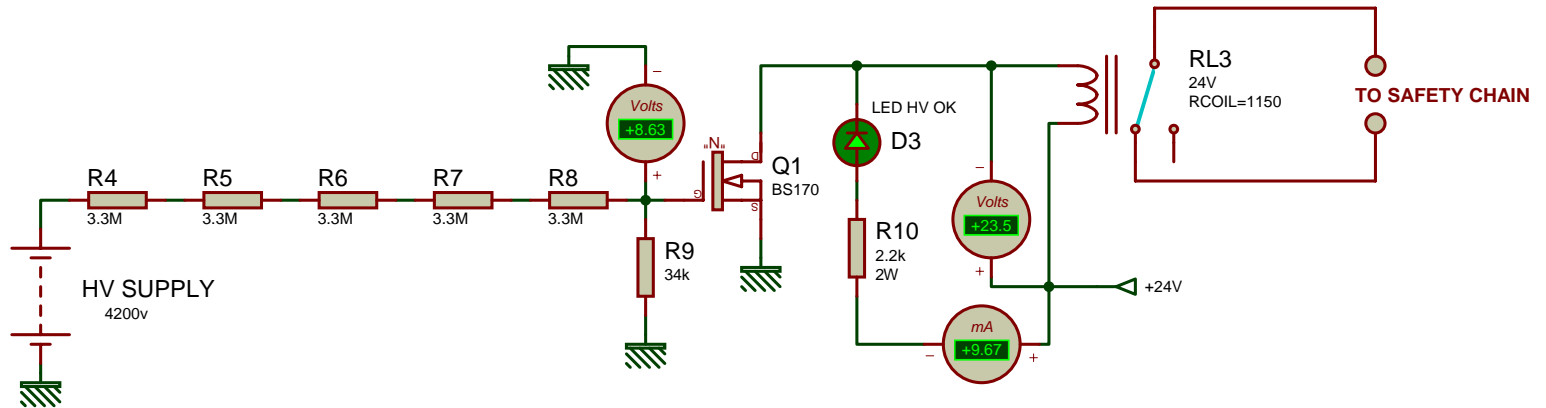
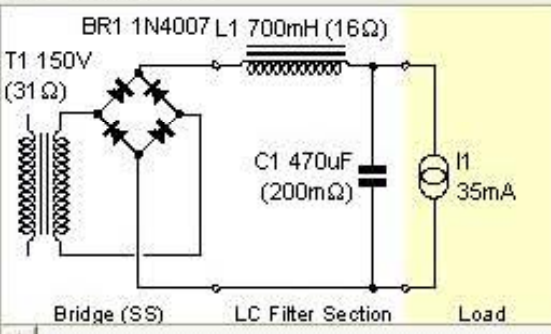


TETRODE AMPLIFIER  
SUPPLIES DETECTIONS SIMULATION

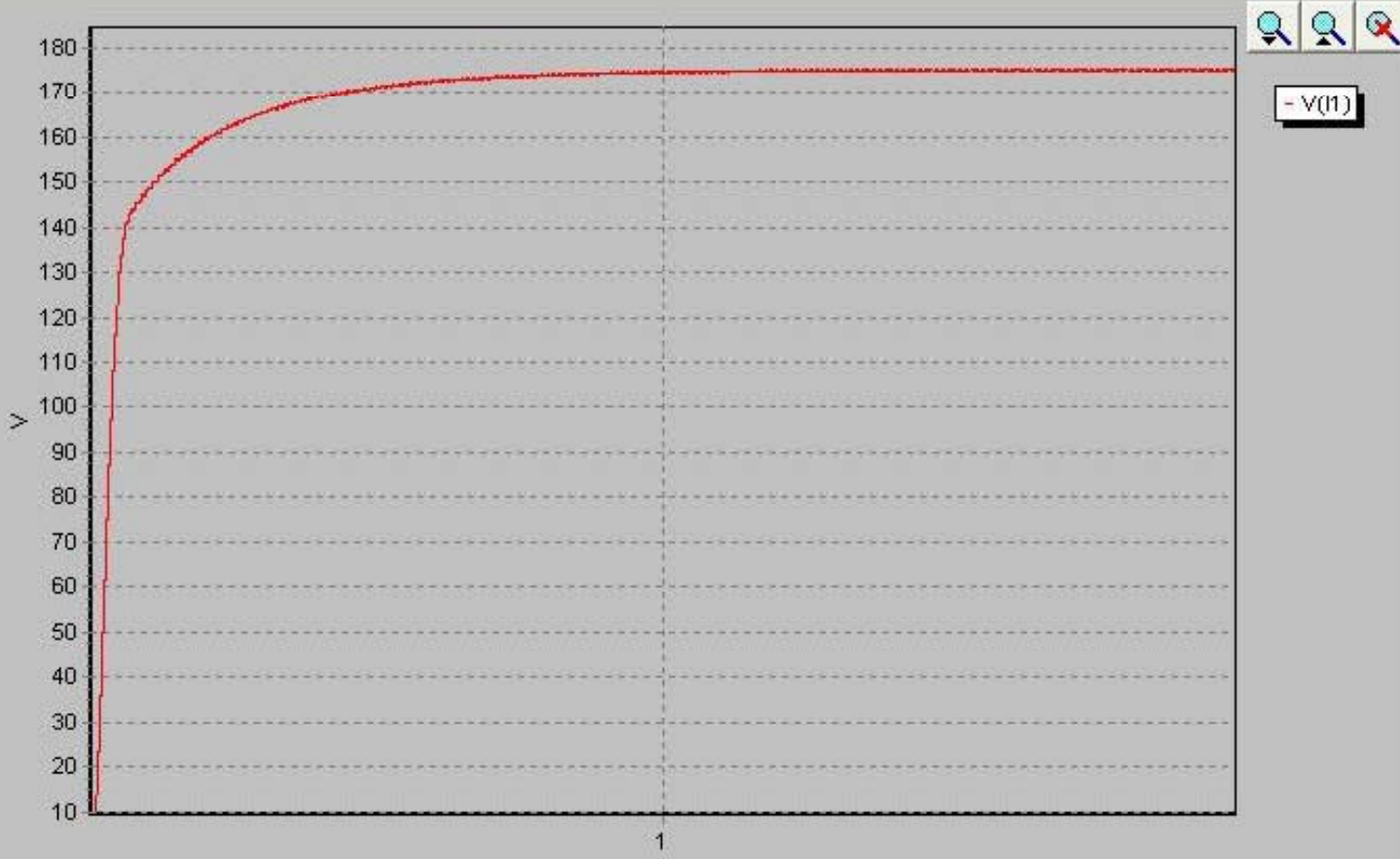


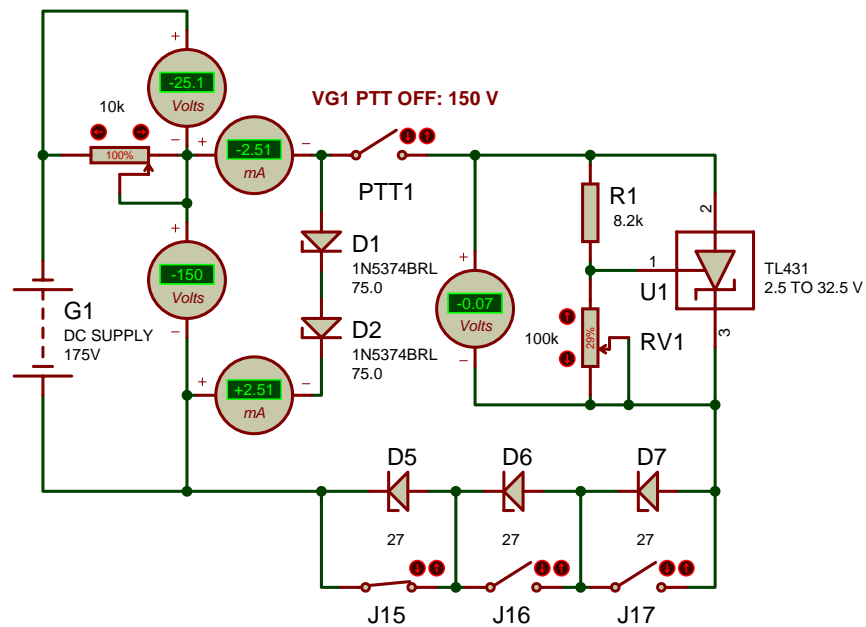
TETRODE AMPLIFIER  
SUPPLIES DETECTIONS SIMULATION



Simulate For 2000 ms after a reporting delay of 0 s

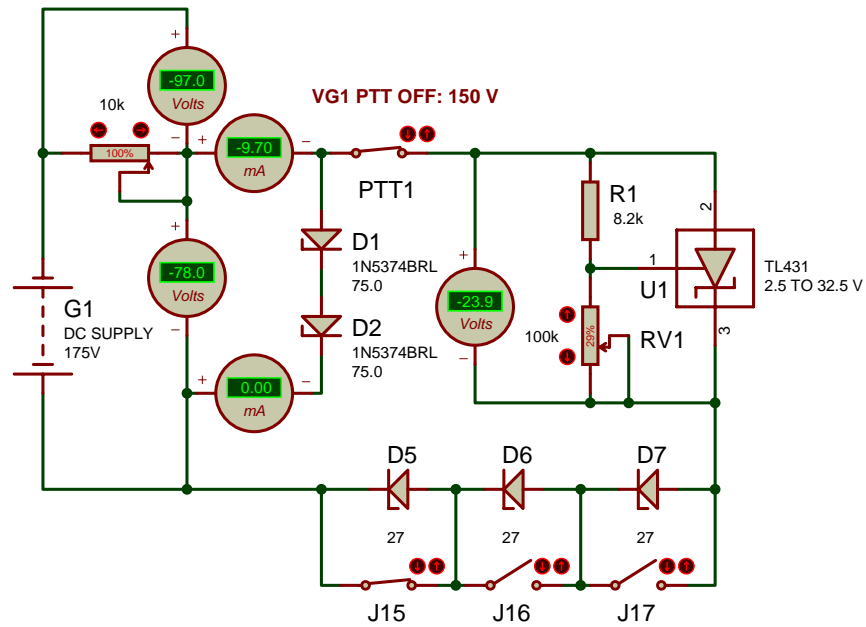
Result	Min	Max	Diff	Mean	RMS
<input type="checkbox"/> I(BR1)	-690,51u	1,8344	1,8351	36,515m	155,19m
<input type="checkbox"/> I(C1)	-35,690m	1,0630	1,0907	37,937m	212,64m
<input type="checkbox"/> I(I1)	0	35m	35m	34,989m	34,994m
<input type="checkbox"/> I(L1)	-690,51u	1,8980	1,8987	72,926m	221,58m
<input type="checkbox"/> I(T1)	-1,8980	1,8344	3,7325	103,67u	221,58m
<input type="checkbox"/> V(BR1)	-2,3730k	26,788	2,3998k	-647,79	1,1261k
<input type="checkbox"/> V(C1)	-7,9051m	175,29	175,29	168,80	169,91
<input checked="" type="checkbox"/> V(I1)	-7,9051m	175,29	175,29	168,80	169,91
<input type="checkbox"/> V(L1)	-176,24	2,1989k	2,3751k	285,96	757,76
<input type="checkbox"/> V(T1)	-210,28	210,28	420,57	-37,937m	144,96





**VG1 PTT ON WITH J15+J16+J17: 2.5-32.5 V**  
**VG1 PTT ON WITH J15+ J16: 29.5-59.5 V**  
**VG1 PTT ON WITH J15: 56.5-86.5 V**  
**VG1 PTT ON WITHOUT J15, J16, J17: 83.5-113 V**

**TETRODE G1 POLARISATION  
 SIMULATION**



VG1 PTT ON WITH J15+J16+J17: 2.5-32.5 V  
 VG1 PTT ON WITH J15+ J16: 29.5-59.5 V  
 VG1 PTT ON WITH J15: 56.5-86.5 V  
 VG1 PTT ON WITHOUT J15, J16, J17: 83.5-113 V

## TETRODE G1 POLARISATION SIMULATION