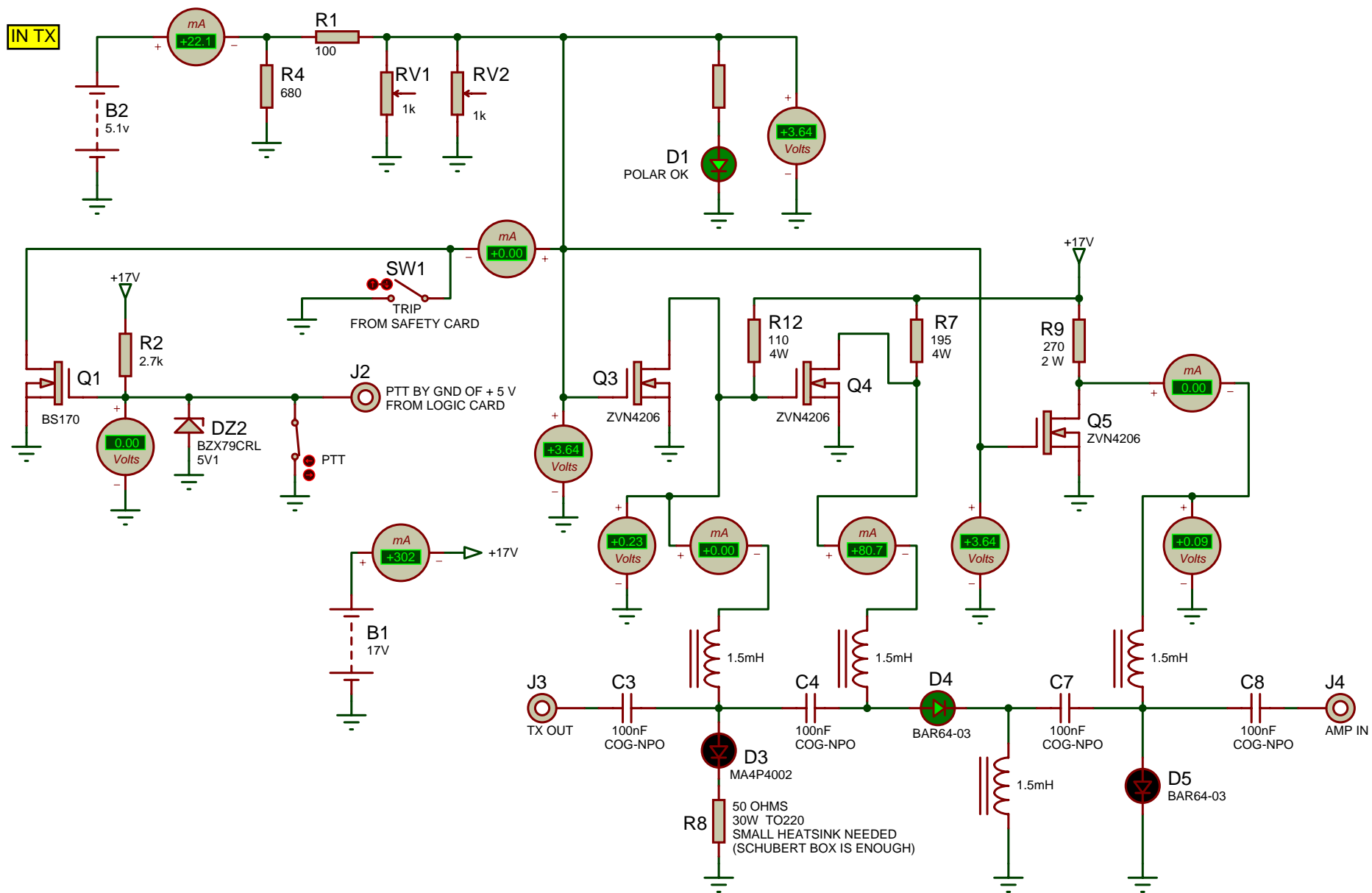


**SAFETY FOR SSPA
PTT & RF INPUT TRIP**

DATE: 17/10/14 REV: 0 PAGE: 1/1
 BY: F1FRV@SFR.FR
 DOC N°: Amateur Radio



**SAFETY FOR SSPA
PTT & RF INPUT TRIP**

DATE: 17/10/14 REV: 0 PAGE: 1/1
 BY: F1FRV@SFR.FR
 DOC N°: Amateur Radio

