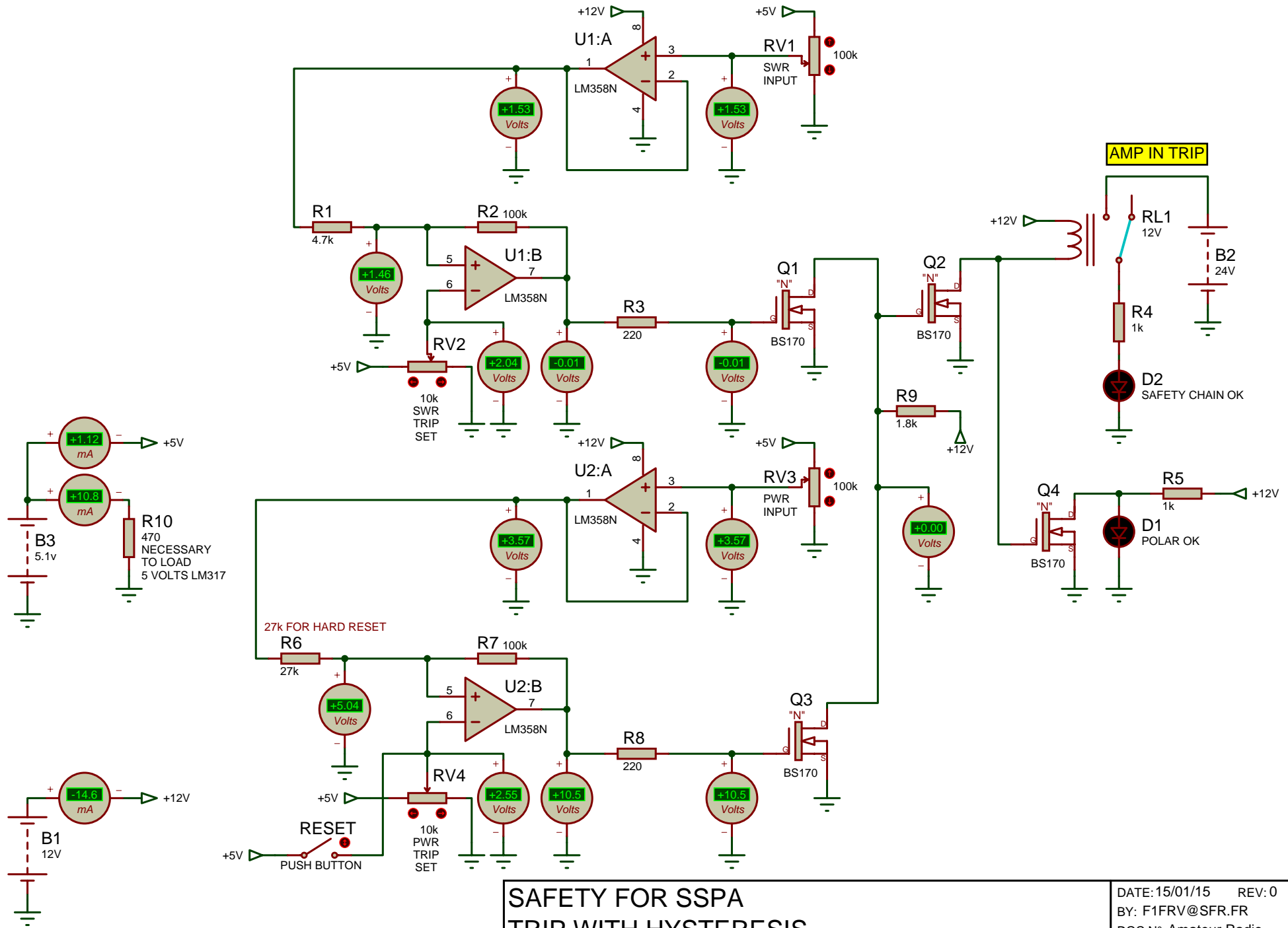


**SAFETY FOR SSPA
TRIP WITH HYSTERESIS**



**SAFETY FOR SSPA
TRIP WITH HYSTERESIS**