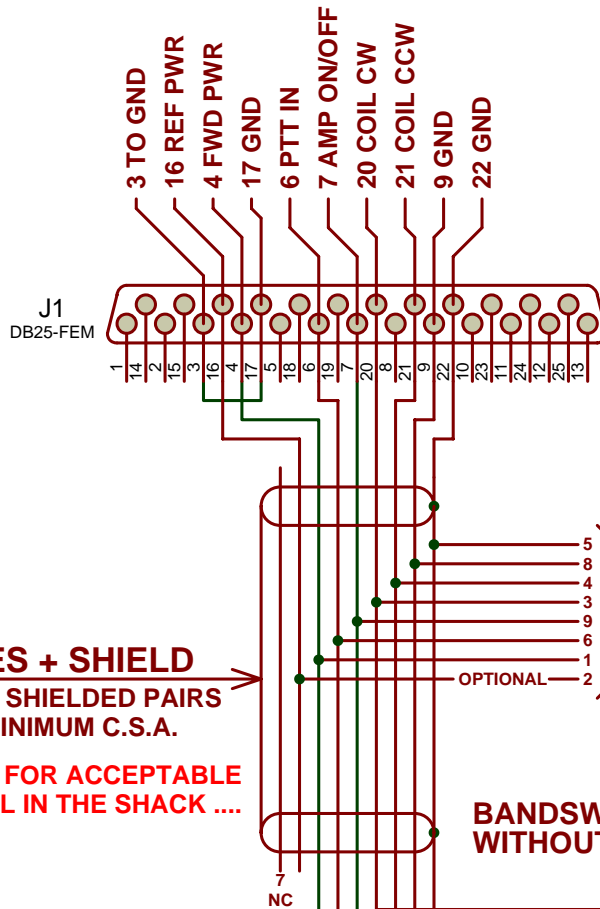


HARRIS HF AMPS RF-353 / RF-355 MINIMUM REMOTE CONTROL SYSTEM

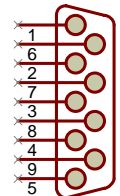
DATE: 10/04/13 REV: 0a PAGE: 1/1
BY: f1frv@sfr.fr
DOC N°: AMATEUR RADIO



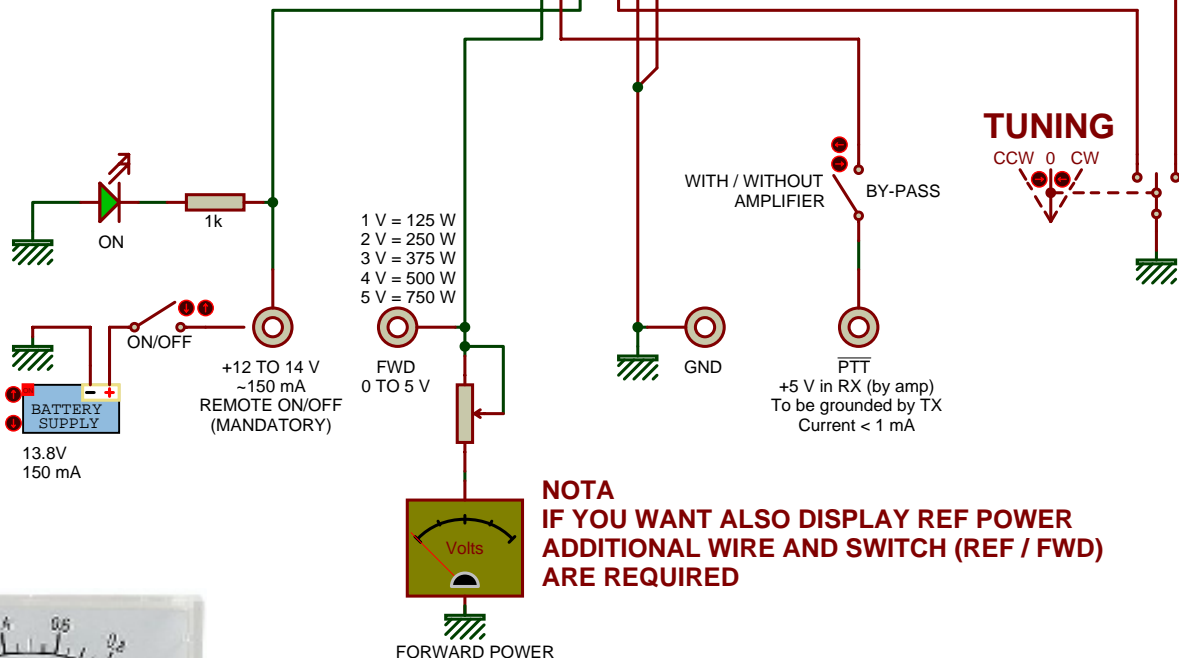
MINIMUM 6 WIRES + SHIELD
TELEPHONE CABLE 4 SHIELDED PAIRS
AWG24 (~0.2 mm2) MINIMUM C.S.A.

**NECESSARY LENGTH FOR ACCEPTABLE
BLOWER NOISE LEVEL IN THE SHACK**

**WIRES NUMBERS FOR
DB9 CONNECTOR ON
CONTROL BOX REAR
FEMALE ON BOX
(MALE ON CABLE)**



**BANDSWITCH IS IN MANUAL MODE
WITHOUT OPTIONAL BANDS DECODER**



**NOTA
IF YOU WANT ALSO DISPLAY REF POWER
ADDITIONAL WIRE AND SWITCH (REF / FWD)
ARE REQUIRED**

**BEWARE !!! SCALE IS NOT LINEAR.
(ONLY MADE FOR "TUNE FOR MAX")**

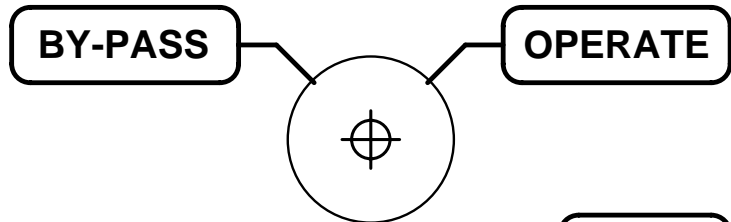
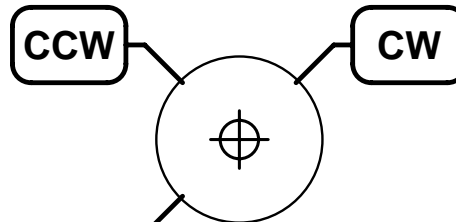
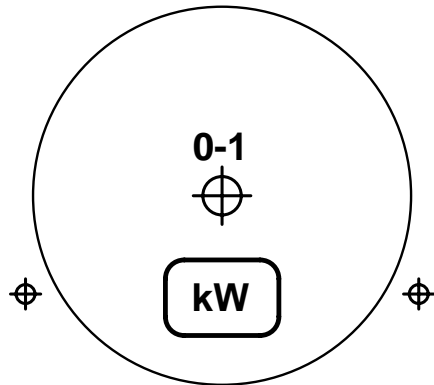
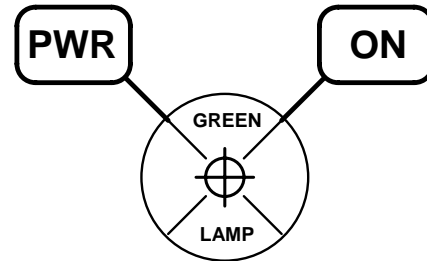
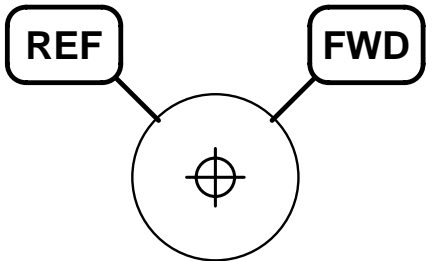


HARRIS AMPLIFIER REMOTE CONTROL SYSTEM F1FRV 2013
230 V AC TO AMP PTT

kW kW

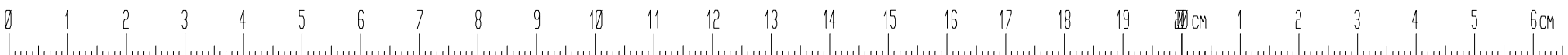
HARRIS AMPLIFIER RF-355 / AM-7223

REMOTE CONTROL SYSTEM



TUNE FOR MAX FWD PWR

F1FRV



HARRIS AMPLIFIER REMOTE CONTROL SYSTEM F1FRV 2013
230 V AC TO AMP PTT

kW kW

NOTA: XB4 BUTTONS NOT ACCEPTED
(BIGGER SPACINGS REQUIRED)

F1FRV HARRIS MINIMUM INTERFACE + REF PWR
FRONT AND BACK PLATES LABELS + GALVA kW STICKER

DATE: 02/2013 REV: 0 PAGE: 1/1
BY: F1FRV@SFR.FR
DOC: AMATEUR RADIO

HARRIS AMPLIFIER REMOTE CONTROL SYSTEM F1FRV 2013
230 V AC TO AMP PTT



SWITCH



FUSE



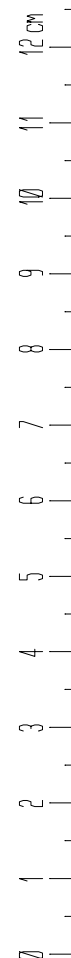
GROMMET



6
CINCH



GROMMET



L'étiquette auto collante de la face arrière est imprimée avec celle de la face avant

TOLE 262 x 122 x 0.8

HARRIS MINIMUM INTERFACE F1FRV
REAR PLATE DRILLING & LABEL

DATE: 02/2013 REV: 0 PAGE: 1/1
BY: F1FRV@SFR.FR
DOC: AMATEUR RADIO

NOTE: UNLESS OTHERWISE SPECIFIED:

- PARTIAL REFERENCE DESIGNATIONS ARE SHOWN FOR DETAIL PARTS. PREFIX THESE WITH UNIT NO. AND/OR ASSEMBLY DESIGNATIONS SHOWN ON DRAWING TO OBTAIN COMPLETE DESIGNATIONS.
- ALL RESISTOR VALUES ARE IN OHMS, 1/4W, ±5%.
- ALL CAPACITOR VALUES ARE IN MICROFARADS (UF).
- ALL INDUCTANCE VALUES ARE IN MILLIHENRIES (MH).
- VENDOR PART NO. CALLOUTS ARE FOR REFERENCE ONLY. COMPONENTS ARE SUPPLIED PER PART NO. IN PARTS LIST.
- DC RESISTANCES OF INDUCTIVE ELEMENTS (CHOKES, COILS, MOTOR WINDINGS, ETC.) ARE LESS THAN 1 OHM.
- PANEL DECALS ARE INDICATED BY BOLD TYPE IN A BOLD BOX, E.G., **ON/OFF**.
- ALL RELAYS ARE SHOWN IN THE DE-ENERGIZED STATE.

HIGHEST REFERENCE DESIGNATION	
REFERENCE DESIGNATIONS NOT USED	

FROM BOARD A7
CW AND CCW

V FWD

XCVR CONTROL

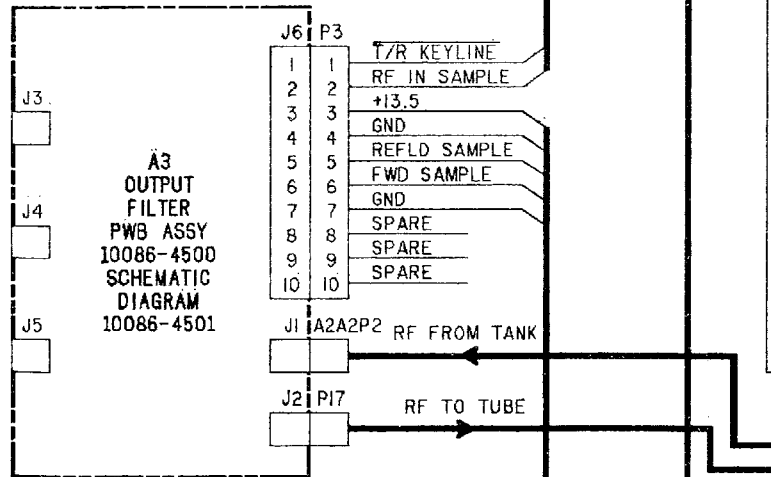
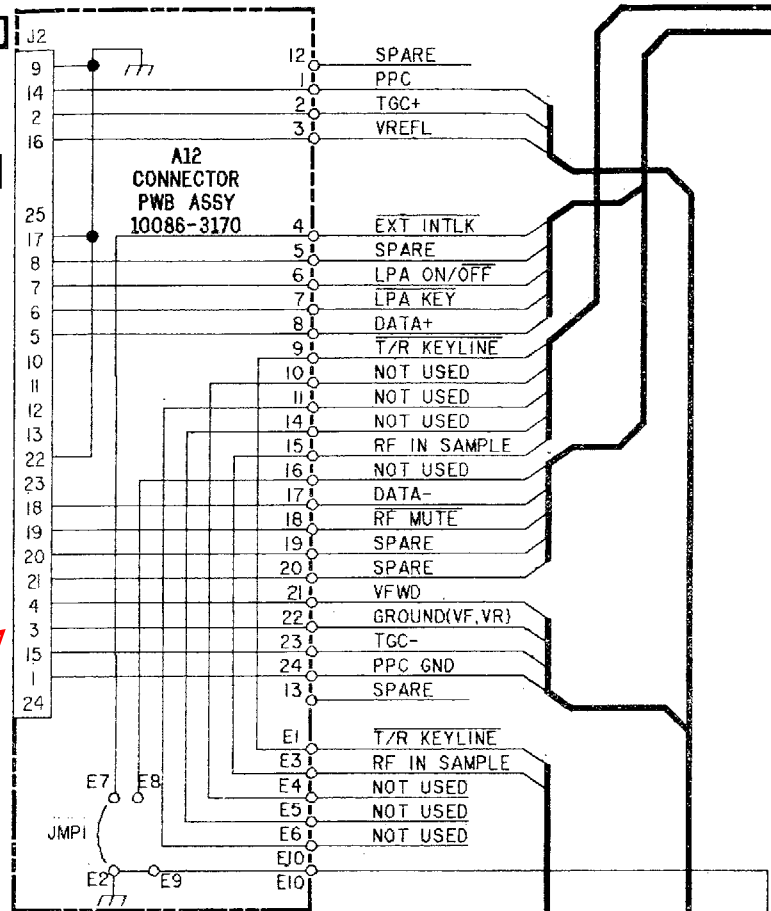
GROUND
PPC
TGC+
VREFL
V REF
SPARE
LPA ID
SPARE
LPA ON/OFF
LPA KEY
DATA+
SPARE
SPARE
SPARE
SPARE
GND
SPARE
DATA-
RF MUTE
SPARE
SPARE
VFWD
GROUND(VF,VR)
TGC-
PPC GND
SPARE

GND

V REF

PTT

GND



OUTPUT VOLTS	500W LPA
5	750W
4	500W
3	375W
2	250W
1	125W

XCVR RF

RF MONITOR

ANTENNA

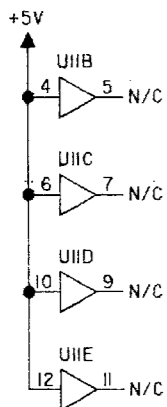
IT IS SUGGESTED TO READ F1FRVs OPERATION MANUAL PAGES 37 & 38 TO INCREASE HIGH VOLTAGE !!!

NOTE: UNLESS OTHERWISE SPECIFIED:

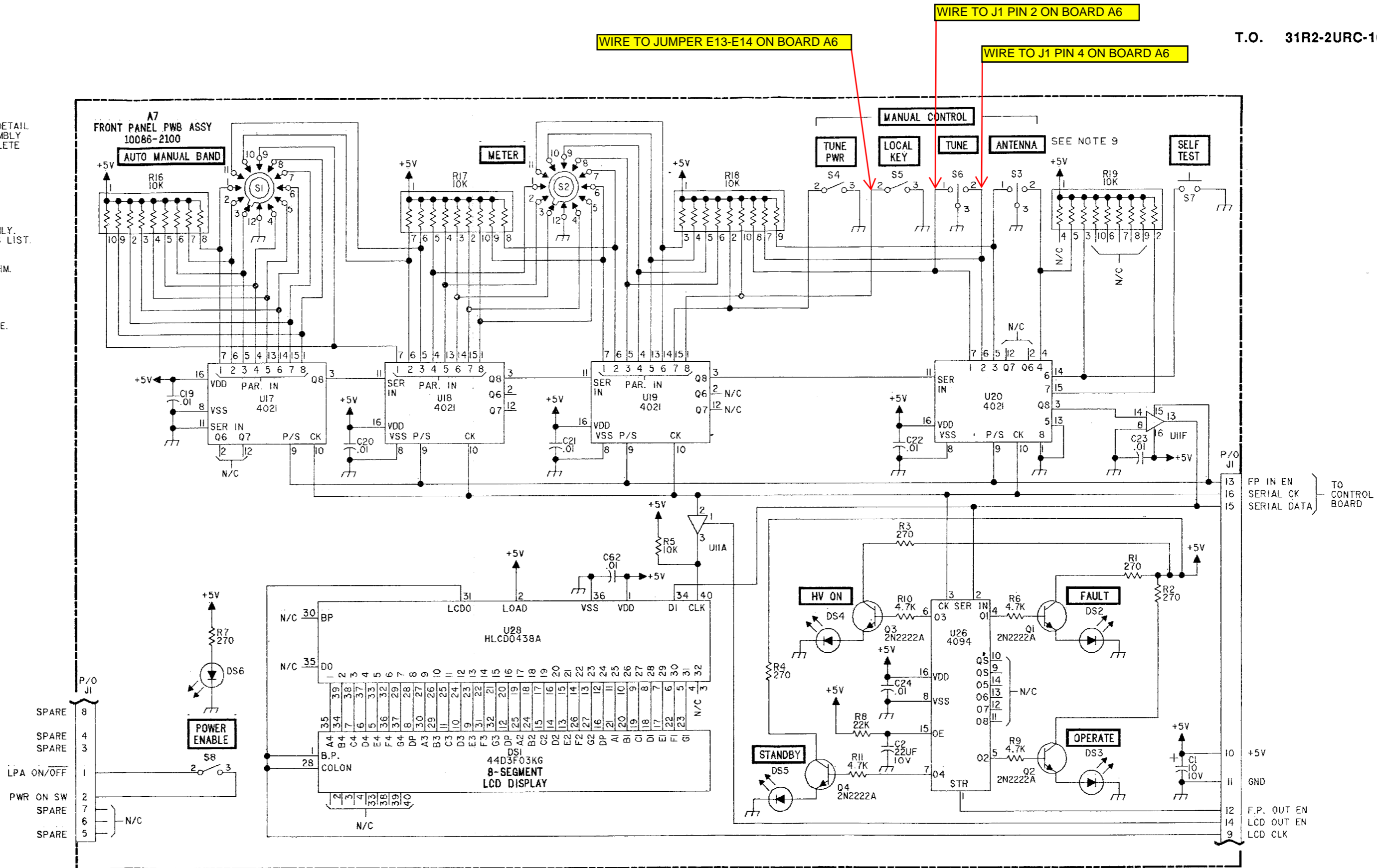
- PARTIAL REFERENCE DESIGNATIONS ARE SHOWN FOR DETAIL PARTS. PREFIX THESE WITH UNIT NO. AND/OR ASSEMBLY DESIGNATIONS SHOWN ON DRAWING TO OBTAIN COMPLETE DESIGNATIONS.
- ALL RESISTOR VALUES ARE IN OHMS. 1/4W. ±5%.
- ALL CAPACITOR VALUES ARE IN MICROFARADS (UF).
- ALL INDUCTANCE VALUES ARE IN MILLIHENRIES (MH).
- VENDOR PART NO. CALLOUTS ARE FOR REFERENCE ONLY. COMPONENTS ARE SUPPLIED PER PART NO. IN PARTS LIST.
- DC RESISTANCES OF INDUCTIVE ELEMENTS (CHOKES, COILS, MOTOR WINDINGS, ETC.) ARE LESS THAN 1 OHM.
- PANEL DECALS ARE INDICATED BY BOLD TYPE IN A BOLD BOX, E.G., **ON/OFF**.
- ALL RELAYS ARE SHOWN IN THE DE-ENERGIZED STATE.

HIGHEST REFERENCE DESIGNATION				
C62	CR5	DS1	J1	Q4
R19	S9	U28		
REFERENCE DESIGNATIONS NOT USED				
C2-18	C25-61	R8	R13-15	U1-10
U12-16	U21-25	U27		

UNUSED GATES



9. S3 **ANTENNA** SWITCH IS NOT USED ON 10086-2100 ASSY. IT IS PRESENT ON 10087-2100.



FO-10. Front Panel PWB Assy, A7A1

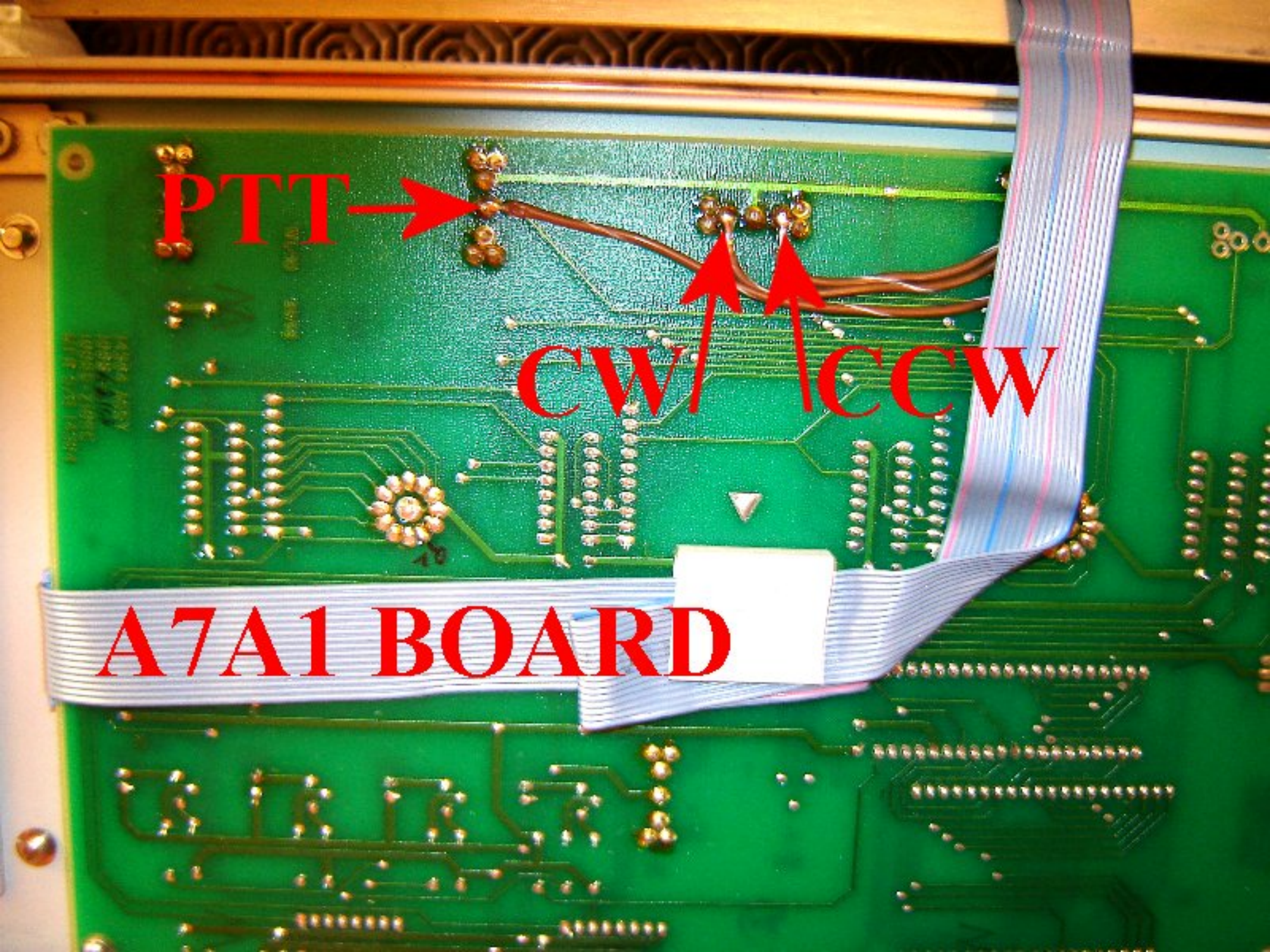
PTT



CW/ICCW



A7A1 BOARD



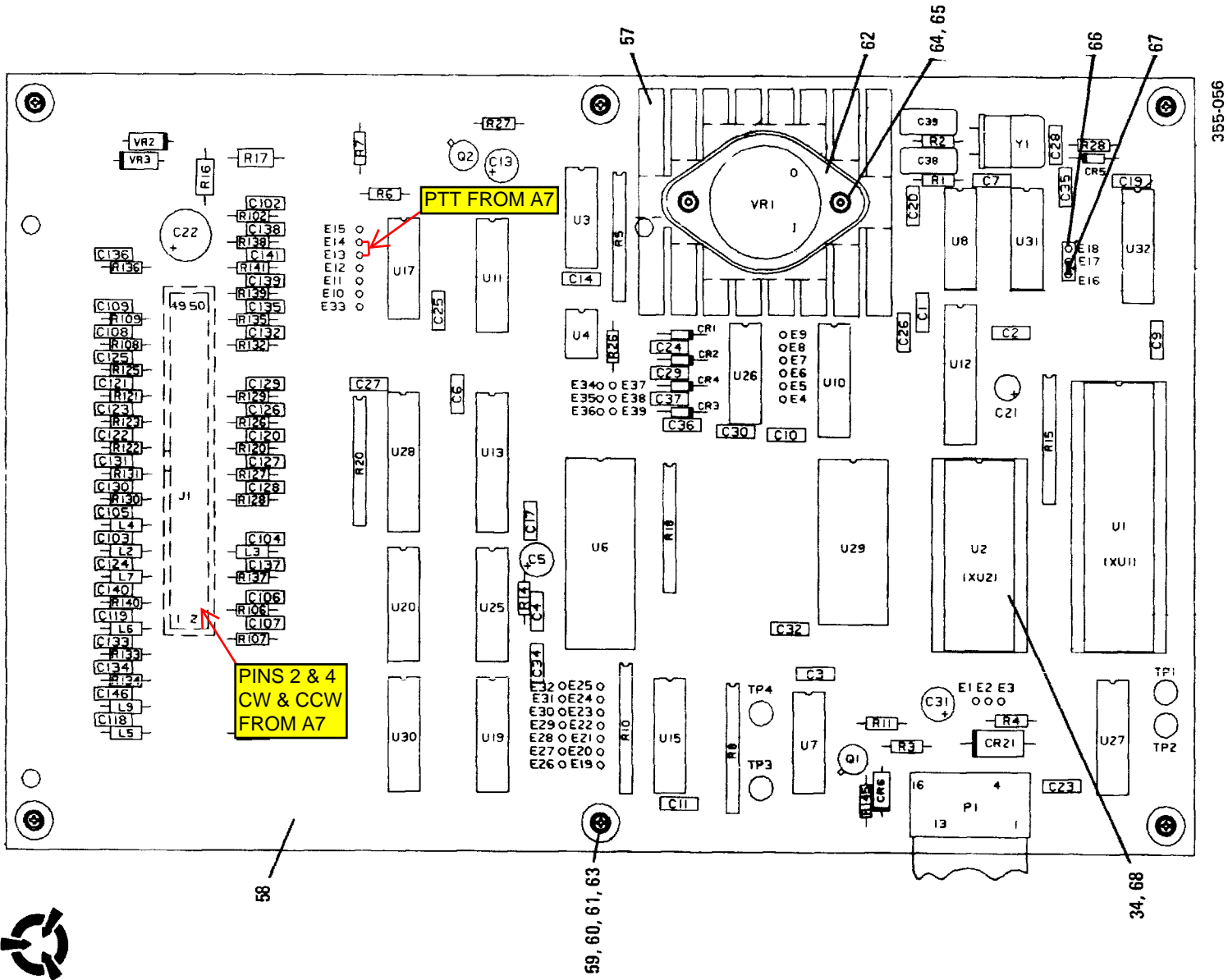


Figure 7-14. Micro Control PWB Assy, A6

A6 BOARD

PTT

GND

10086-9200

14304 ASSY

PTT

CW

CCW

4
2

