

Prototyping board accessories

Single sided pin (Type 10)

For use with plain or copper-clad boards. These pins have the facility for soldering discrete components on one side and wire wrapping on the other.

Material: Manufactured from phosphor bronze to BS 2870 PB 102 with tin finish over copper flash.

Post size: 0,68 mm x 0,64 mm, diagonal 0,94 mm

Single Sided Pin		Ordering information
Type	Compatible hole Ø pierced/drilled	Order code
10	1,00/1,05	18-0226

Supplied in packets of 500

Double sided pin (Type 11)

For use when wirewrapping is required both sides of the board.

Double Sided Pin		Ordering information
Type	Compatible hole Ø pierced/drilled	Order code
11	1,00/1,05	18-1657

Supplied in packets of 500

Solder terminal pin (Type 2)

By inserting pin up to its shoulder these pins stand at a fixed height above the board surface. The separated profile offers good mechanical retention while electrical contact is made by soldering shoulder to copper track.

Available in two sizes for hole size 1,02 and 1,32 mm.

Solder Terminal Pin		Dimensions					Ordering information
Hole dia.	A	B	C	D	E	Order code	
1,00	9,7	5,6	1,1	1,0	0,4	18-0222	
1,32	11,9	6,7	1,4	1,2	0,5	18-0219	

Supplied in packets of 1000

Solder terminal pin (Type 3)

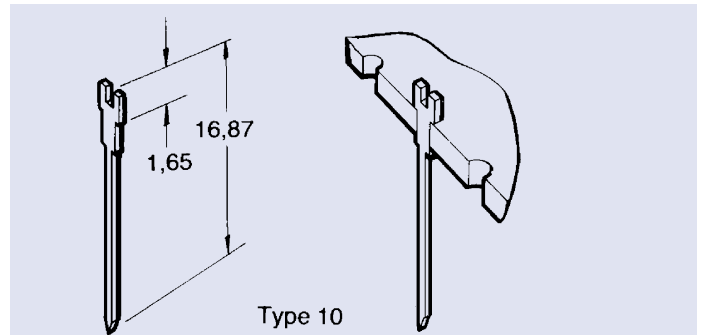
Similar to 18-0222D but manufactured from phosphor bronze to BS 2873 PB 102, tin finish over copper flash.

Solder Terminal Pin		Ordering information	
Type	Qty	Hole dia.	Order code
3	1000	1,00	18-0218

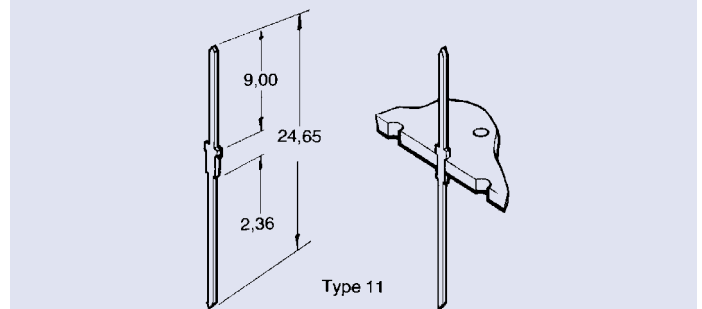
Solder terminal half pin (Type 4)

These pins are ideally suited to take off points or flying leads from a PCB. The shoulder is soldered to the copper track with the pin protruding on the component side of the board. Two sizes are available for 1,02 and 1,32 mm diameter holes.

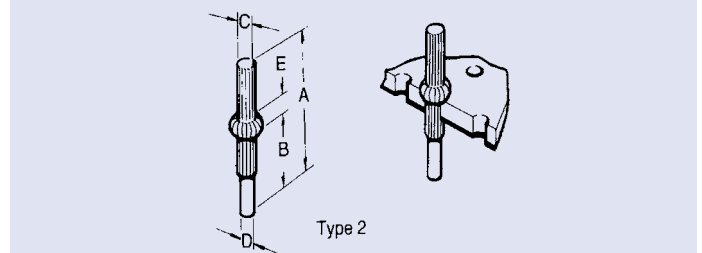
Solder Terminal Half Pin		Ordering information		
Type	Qty	Hole dia.	Dim.A	Order code
4	1000	1,32	1,21	18-0217
4	1000	1,00	0,93	18-0223



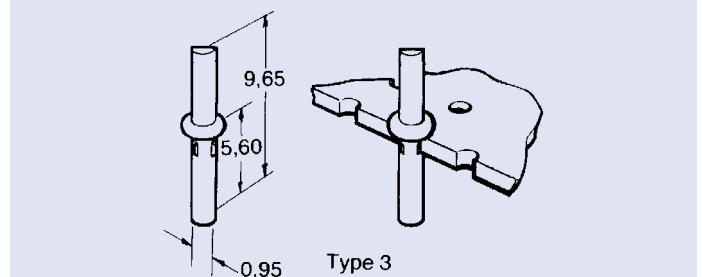
Single Sided Pins – Type 10



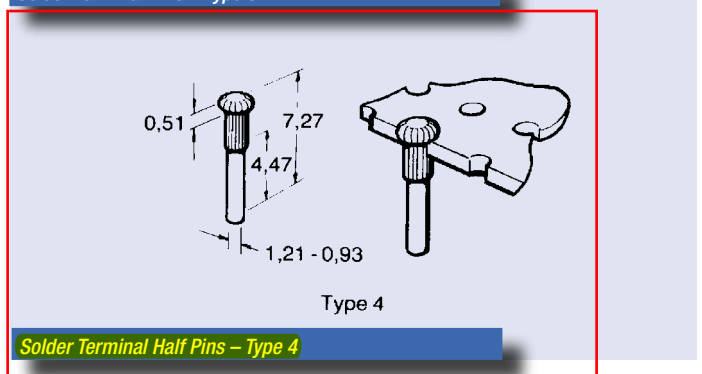
Double Sided Pins – Type 11



Solder Terminal Pins – Type 2



Solder Terminal Pins – Type 3



Solder Terminal Half Pins – Type 4