

AT OUTPUT TO CATHODE, DONT FORGET DC BLOCKING CAPACITOR ~22 nF ~250 V MINI (ABLE TO PASS ~2 RF AMPS)

A SIMPLE 10 POSITIONS ROTARY SWITCH 0.1 AMP (COMMON AT SUPPLY GROUND) IS ENOUGH TO SELECT BANDS

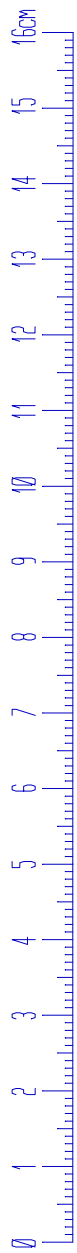
BAND SELECTION CAN ALSO BE MADE BY N CHANNEL MOSFETS DRIVEN BY ANY μ PROCESSOR (BAND DECODER)

**ALL TOROIDS & COILS NB OF TURNS TO BE CHECKED FOR MAX TEMPERATURE RISE AT FREQUENCY OF USE
ALL SELECTED FIXED VALUE CAPACITORS TO BE CHECKED FOR AVAILABLE CURRENT AT FREQUENCY OF USE**

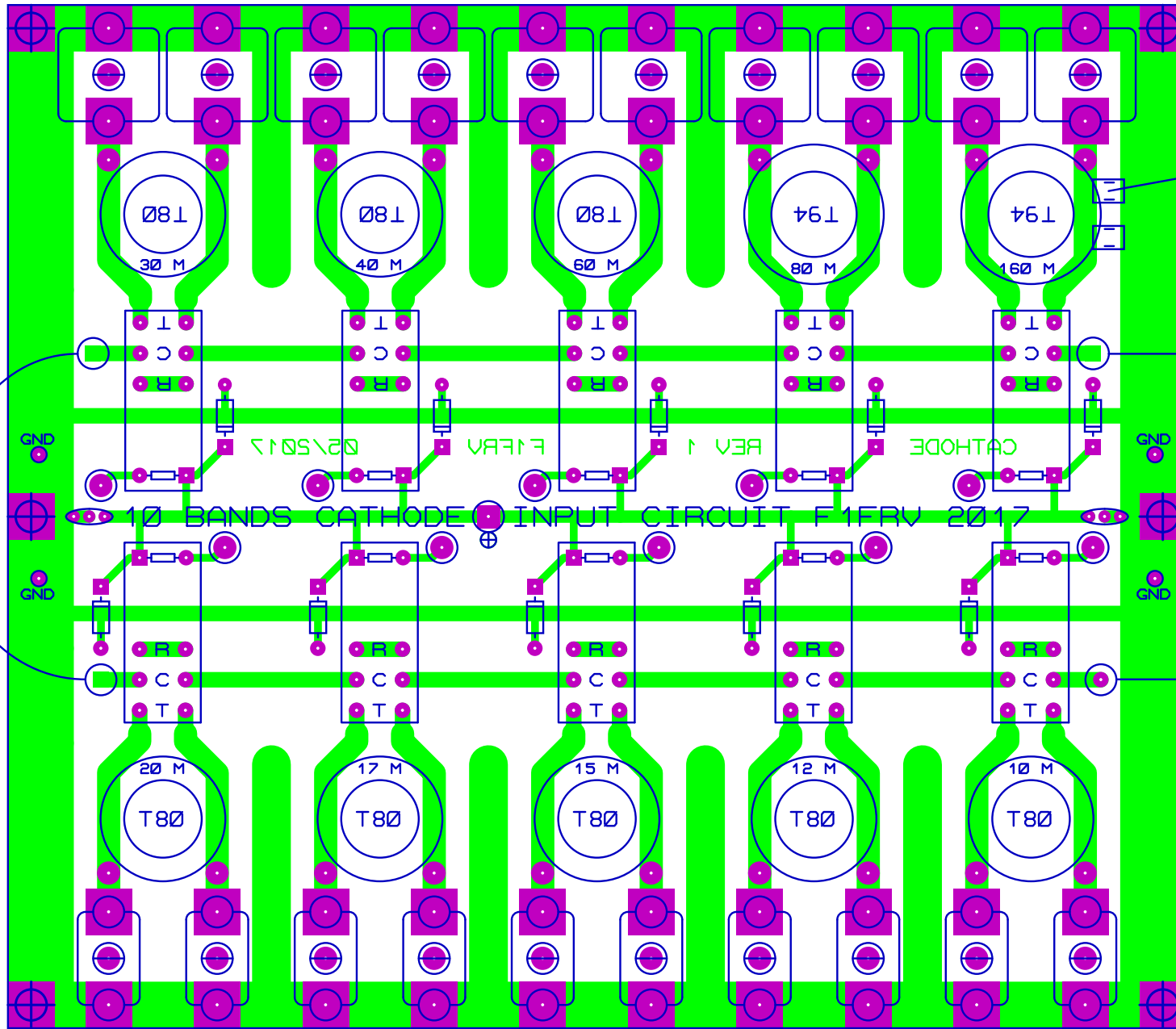
FOR SINGLE GS-35b VALUES (200 W INPUT MAX), SEE FILE: GS-35b_Cathode_Circuit_Z33_Excel.pdf

**10 BANDS CATHODE INPUT CIRCUIT
FOR TRIODE LINEAR AMPLIFIER**

DOC N°: AMATEUR RADIO
BY: F1FRV@SFR.FR
DATE: 23/05/17 REV: 1 PAGE: 1/1



COAXIAL



TO BE PLACED SOLDER SIDE:
ADDITIONAL FIXED VALUES
CAPACITORS CAN BE EITHER
HIGH Q DIPPED SILVER MICA
OR SMD CERAMIC ATC
MINIMUM VOLTAGE 250 V

COAX FROM TRANSCEIVER

BLOCKING CAPA TO CATHODE

TOROIDS T80-0 FOR 10-17 M
TOROIDS T80-17 FOR 20-40 M
TOROIDS T80-10 FOR 60 M
TOROIDS T94-6 FOR 80 M
TOROIDS T94-2 FOR 160 M

DIMENSIONS 6.6" x 7.6" (167.6 x 195.3 mm) 208 HOLES

REV1 RELAYS COMMAND BY GROUNDING COILS VOLTAGE

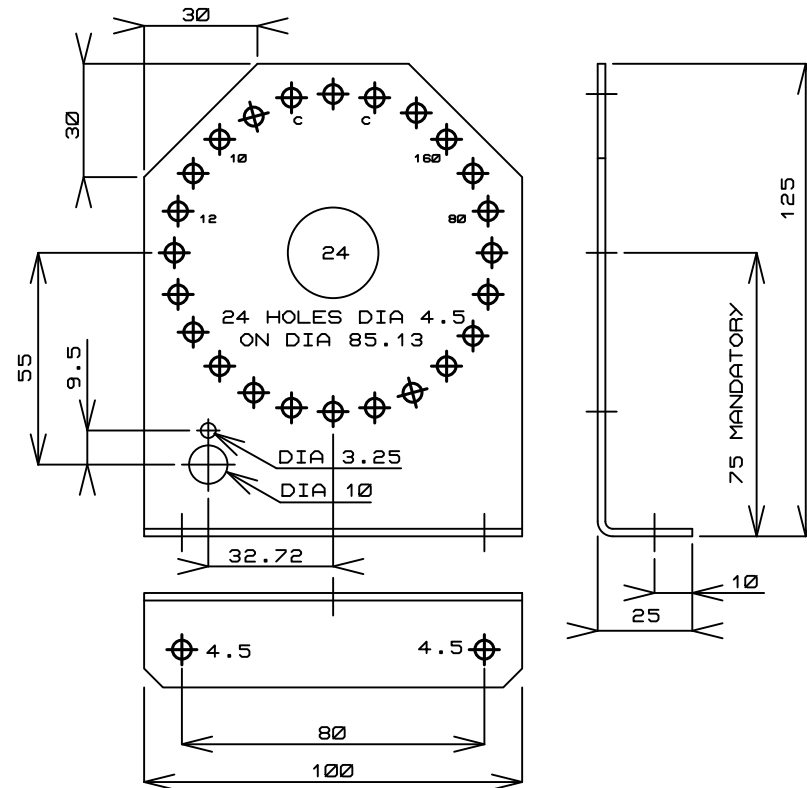
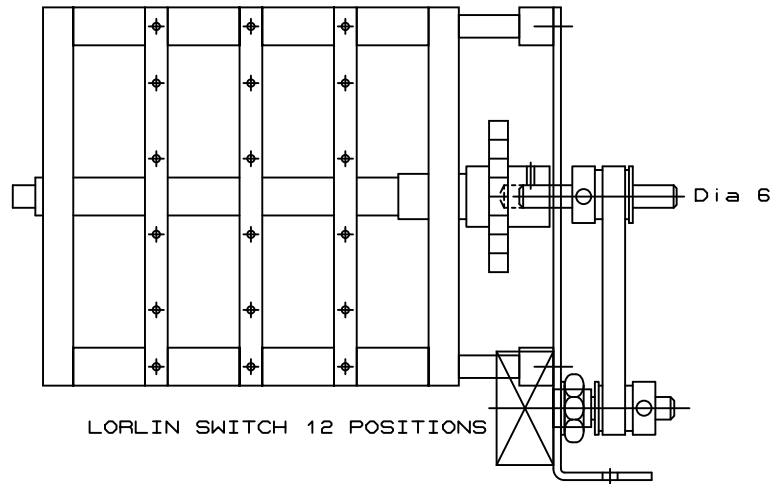
FIXATIONS 6 HOLES DIA 3 160 x 185
2 HOLES DIA 5 mm FOR THE 2 TABS
OF EACH ARCO 42x OR 46x CAPACITOR

10 BANDS CATHODE INPUT CIRCUIT
TRIODE LINEAR AMPLIFIER 200 W MAX

DATE: 05/2017 REV: 1
BY: F1FRV@SFR.FR
DOC Nr: AMATEUR RADIO

2 x PULLEYS GT2 16 TEETH RE-BORED TO 6 MM DIA
 1 x BELT 2GT 80 TEETH (LENGTH 160 MM) WIDTH 6 MM

26 HOLES DIA 4.5 + 1 HOLE DIA 24
 1 HOLES DIA 10 + 1 HOLE DIA 3.25



SCALE 1/2

ELECTROZINCED / GALVANIZED STEEL THK 2 MM
 1 x SWITCH SUPPORT 100 x 125
 SHEET 146.2 x 100 WITH 1 x 23 MM BEND

ADAPTATION OF LOW CURRENT (150 mA) 12 POS ROTARY SWITCH ON HA8YU POWER SWITCH SUPPORT FOR LINEAR AMPLIFIER

10 BANDS CATHODE INPUT CIRCUIT
 TRIODE LINEAR AMPLIFIER 200 W MAX

DATE: MAY 2017 REV: 0
 BY: F1FRV@SFR.FR
 DOC: AMATEUR RADIO PAGE: 1/1

